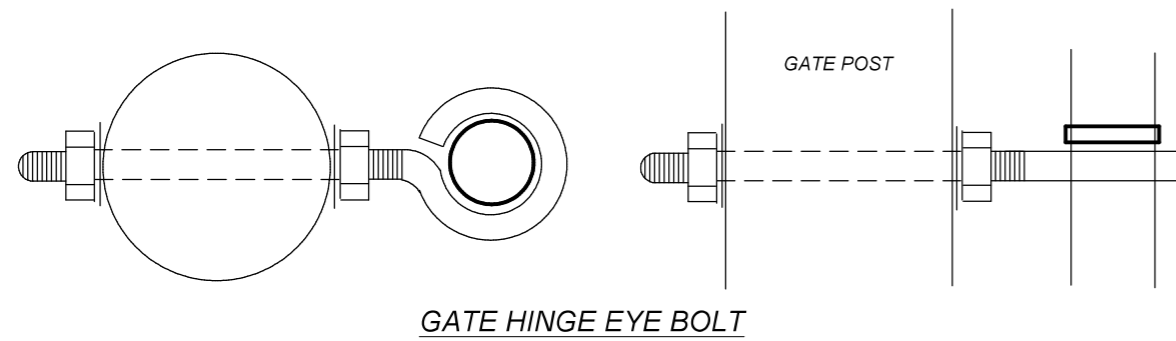


## FARM GATES



### LEGEND

- ① 125 - 150mm TOP DIAMETER x 2100 mm TREATED TIMBER POST  
CORNER, STRAINING, GATE AND ANCHOR POSTS
- ③ 4mm x 4 STRANDS TWISTED SOFT GALVANISED BINDING WIRE
- ④ 100 - 125mm TOP DIAMETER x 1800 mm TREATED TIMBER POST  
BRACES IN BOX ANCHORS

NGL NATURAL GROUND LEVEL

NOTES: 1. 40 mm STAPLES REQUIRED FOR CORNER POSTS and STRAINING POSTS

2. THIS DRAWING TO BE READ IN CONJUNCTION WITH THE PROJECT PARTICULAR SPECIFICATIONS FOR FENCES

NO.	SPECIAL NOTES:	S KONDLO (CHIEF ENGINEER)	<b>DEPARTMENT OF RURAL DEVELOPMENT AND AGRARIAN REFORM PROVINCE OF THE EASTERN CAPE</b>	SCALE	INDEX NO.
			ENGINEERING SERVICES PRIVATE BAG X015 DOHNE ADI STUTTERHEIM 4930	NTS	SCMM-03/19/03
		OCTOBER 2024 (DATE APPROVED)		<b>STANDARD STOCK PROOF FENCE</b>	
				<b>1,2m HIGH - 9 STRAND FENCE</b>	PLAN NO. SHEET 3 OF 6
				A3 ORIGINAL	